



65VX³



80VX³

Durability

■ **Highly durable blades made even stronger**

The box-shaped blade's upper structure and lip extension enhance farther durability.

* See Page 27 for details.



■ **Embedded boom center working lights**



■ **Bucket cylinder hose built inside the arm**



■ **New castle-nut design reduces horizontal tolerance**



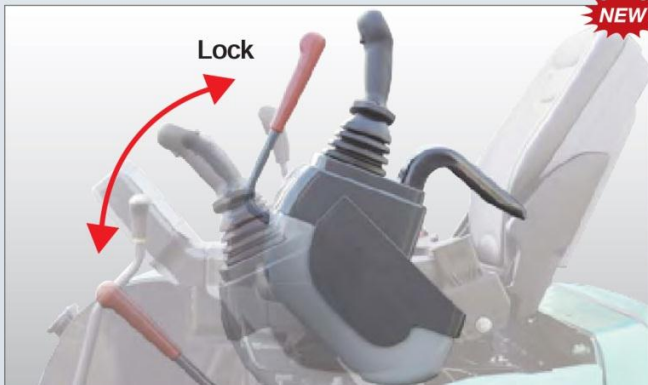
The arm-end and boom-arm joint are fixed with castle nuts. The reduction of horizontal tolerance is achieved.

* See Page 27 for details.

■ **Durable, anti-corrosive aluminum radiator**

Safety

■ **Gate lock system as standard equipment is designed to block up all operations**



The master gate lock system enables you to block up all functions such as boom, arm, bucket, swing, boom swing, travel and blade.

■ **Steel cabin comes as standard equipment**



■ **Neutral engine start system.**

The engine can start when the gate-lock is pulled up to avoid mis-operations.

■ **Swing motor with auto parking brake**

Featuring swing motor with an auto parking brake, the machine can be swung and locked at any position within a 360° circumference.

The midi-class machines in the utmost comprehensive technology.

 Assurance that IHI excavators are environment-conscious.

Operability

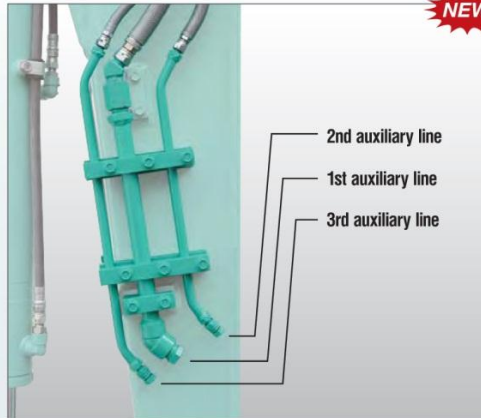
Newly designed operator's space



NEW

The new cockpit ensures safe and comfortable operations.
* See Page 26 for details.

Additional auxiliary hydraulic lines (optional)



NEW

In addition to the conventional auxiliary hydraulic line, two more lines are now available for versatile hydraulic attachments, enabling you to handle a wider range of hydraulic attachments.
* See Page 27 for details.

Engine throttle turn-dial



NEW

- Close distance between bucket and blade
- Large-size blade makes ground leveling work easier

Easy Maintenance

Segmented blade cylinder hose design makes replacement easier

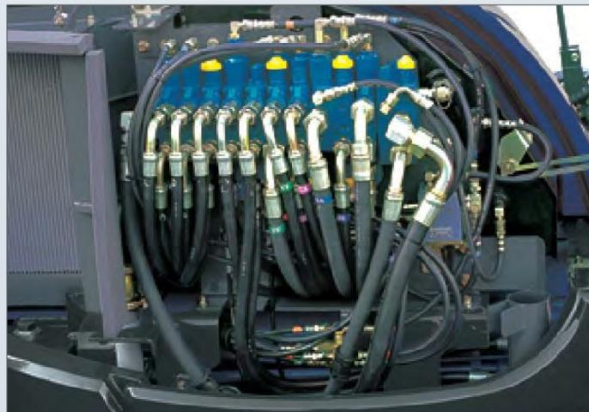


NEW

Segmented boom cylinder hose design makes replacement easier



Wide, fully opening engine-cover enables ease of maintenance



65VX



80VX

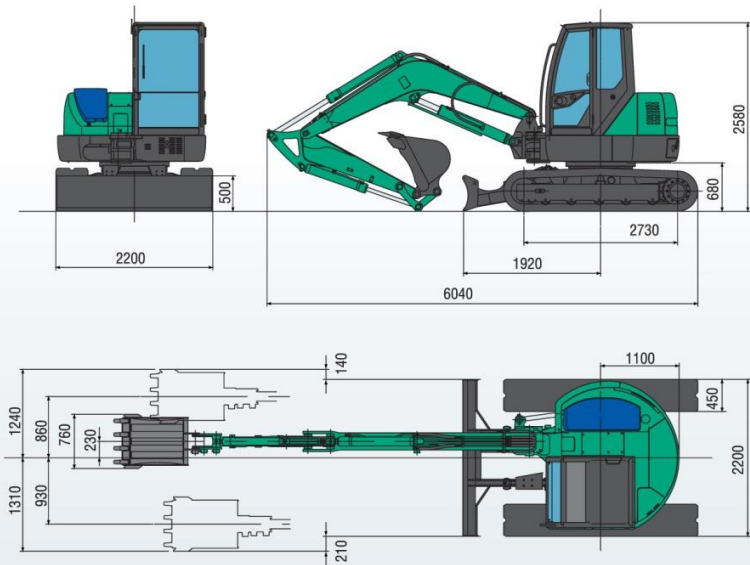
- Filters are conveniently located, making it easy to replace them
- Sintered bushes create longer interval for greasing

80VX³ Midi Excavator

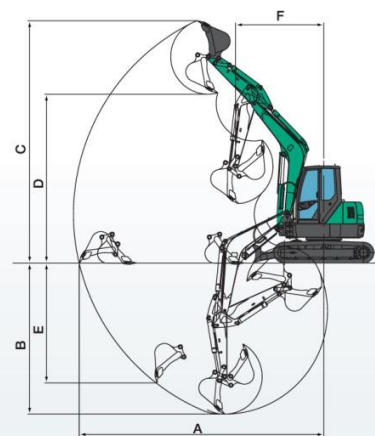
Standard Bucket Capacity : ISO 0.25m³




■ Dimensions (Unit:mm)



■ Working Range (Unit:mm)



	Cabin	4-Post
A Max. digging radius	6820 (7110)	6820 (7110)
B Max. digging depth	4200 (4500)	4200 (4500)
C Max. digging height	6600 (6820)	6780 (7010)
D Max. dumping height	4600 (4820)	4760 (4990)
E Max. vertical digging depth	3300 (3580)	3300 (3580)
F Min. front turning radius	2640 (2720)	2560 (2660)
At right boom swing	2210 (2280)	2120 (2210)

※ () : Figures for long arm

■ 80VX3 Specifications

Performance		Boom swing system	
Bucket capacity	0.25m ³	Type	Boom offset with hydraulic cylinder
Bucket width	760mm	Swing angle (L/R)	90°/50°
Operating weight: Cabin (4-Post)	7725kg (7575kg)	Hydraulic system	
Transportation weight: Cabin (4-Post)	7650kg (7500kg)	Pressure	24.5MPa (250kgf/cm ²) × 2.21.6MPa (220kgf/cm ²)
Swing speed	9.2min ⁻¹	Pump hydraulic flow	71.4L/min × 2 + 53.1L/min
Travel speed (low/high)	2.6/4.3km/h	Dozer blade	
Gradeability	58% (30°)	Size	2200mm × 500mm
Ground pressure	36kPa (0.37kgf/cm ²)	Lift above ground / Drop below ground	435mm/420mm
Max bucket digging force	55kN (5610kgf)	Max auxiliary flow	
Engine		1st line	71L/min
Model	YANMAR 4TNV98	2nd line	53L/min
Rated output	43.2kW/2100min ⁻¹ (58.7PS/2100rpm)		
Fuel tank capacity	85L		

■ Options

Bucket

- 0.11m³/Digging bucket (450mm width)
- 0.16m³/Digging bucket (550mm width)
- 0.21m³/Long arm bucket (650mm width)
- 0.28m³/Loading bucket (760mm width)

- 1st auxiliary piping
- 2nd auxiliary piping
- 3rd auxiliary piping
- Additional counterweight (400kg) ②
- 4-Post canopy
- Steel shoe (450mm)
- Long arm (standard +300mm)
- Rubber pad for steel shoe
- Air conditioner
- Automatic decelerator



①

②