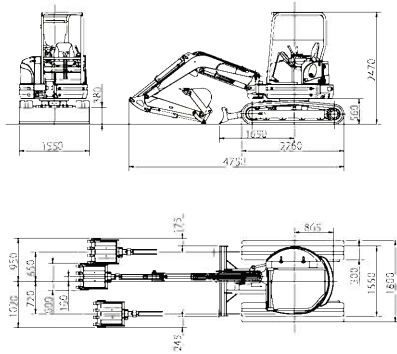
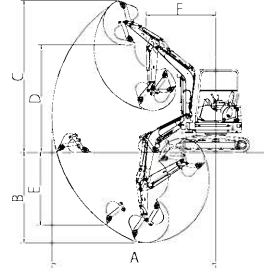


■ Dimensions (unit : mm)



■ Working Range (unit : mm)



	Std. Arm	Long arm	
A	Max. digging radius	5260	5540
B	Max. digging depth	3080	3380
C	Max. digging height	4930	5020
D	Max. dumping height	3430	3540
E	Max. vertical digging depth	2470	2750
F	Min. front turning radius	2160	2200
	At right boom swing	1870	1910

■ 35V4 Specifications

◇ Performance

Bucket capacity	0.11m ³
Bucket width	600mm
Operating weight : Canopy (Cabin)	3525 (3675) kg
Transportation weight : Canopy (Cabin)	3450 (3600) kg
Swing speed	9.0min ⁻¹
Travel speed (low/high)	2.7 / 4.7km/h
Gradeability	58% (30°)
Ground pressure	29kPa (0.30kgf/cm ²)
Max bucket digging force	29.1kN (2970kgf)

◇ Engine

Model	YANMAR 3TNV88
Rated output (EU version)	17.5kW (23.8PS) / 2200min ⁻¹
Rated output (Tier 4 version)	16.8kW (22.8PS) / 2200min ⁻¹
Fuel tank capacity	42L

- Please read carefully instruction manuals before operating machines, and use them correctly and safely.
- Please perform periodically check and maintenance for machines to prevent from troubles and accidents.
- Photographs may differ in some cases from actual objects. Specifications are subject to change without notice due to technical improvements or modifications.

◇ Boom swing system

Type	Boom offset with hydraulic cylinder
Swing angle (L/R)	80° / 50°

◇ Hydraulic system

Pressure	24.5MPa (250kgf/cm ²) 20.6MPa (210kgf/cm ²)
Pump hydraulic flow	37.4 L/minx2+ 23.1L/min

◇ Dozer blade

Size	1550x380mm
Lift above ground / Drop below ground	385mm / 430mm

◇ Max auxiliary flow

1st line	61L/min
2nd line	23L/min

Distributed by:

IHI
Realize your dreams

Zero Tail Swing Mini Excavator

35V
Four
SPANNER



IHI
Realize your dreams

IHI Construction Machinery Limited

Sales Division

3174 Showa-machi, Kanazawa-ku, Yokohama, Kanagawa 236-8611, Japan
Tel: +81-45-276-1249 Fax: +81-45-276-2583
<http://www.ihi-konki.co.jp>

IHI Construction Machinery Limited

**THE ALL NEW V4
THAT BRINGS IN CUSTOMER NEEDS**

S
Safety



C
Comfortable



H
High Performance

E
Economy

Four EVOLUTION

Safety EVOLUTION

WORLD-STANDARD SAFETY

- ROPS/FOPS Compliance Operator Room
- ROPS/FOPS Canopy (Standard)
- ROPS Cabin (Option) • FOPS Cabin (Option)

ERROR-PREVENTION

- All-lever lock structure
- Neutral engine-start structure
- Auto-parking brake in swing & traction motors



All operations are blocked when the lever is raised.



ROPS/FOPS Canopy (Std)



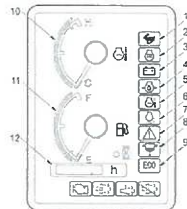
ROPS Cabin (Opt)

Comfortable EVOLUTION

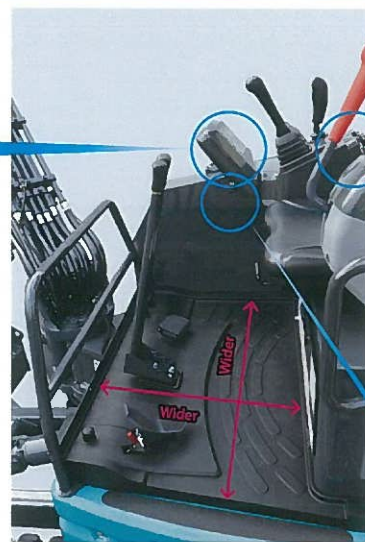
COMFORTABLE OPERATOR ROOM AND EASY MANIPULATION



- Easily visible monitor



- 1 Travel speed indicator
- 2 Glow indicator
- 3 Battery charge warning indicator
- 4 Engine oil pressure warning indicator
- 5 Water temperature warning indicator
- 6 Auto idle indicator
- 7 Control lock warning indicator
- 8 Water-separator warning indicator
- 9 ECO mode indicator
- 10 Water temperature gauge
- 11 Fuel gauge
- 12 Hour meter



- Legroom enlarged by 20%
 - Cabin room enlarged by 25%
- *Comparison with our former model



- Centralized switches (Right console box)

- A Engine starter switch
- B Throttle dial
- C Auto idle selector switch
- D Light switch
- E Work mode selector switch



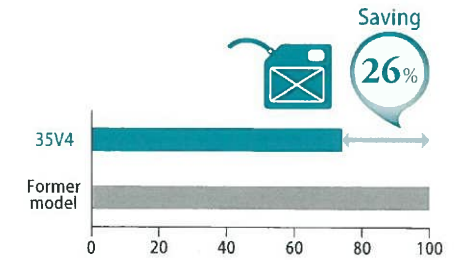
- Spare power port (12V 10A)

Economy EVOLUTION

LOW FUEL CONSUMPTION

- Max. 26% fuel saving

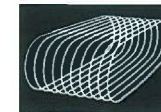
*Comparison with our former model (in use of auto-idle and eco-mode)



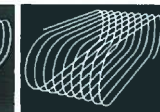
DURABLE AND REPAIRABLE

- Warranted and durable rubber shoes "Tough Track"

The rubber shoe is warranted for either 2 years or 1500 hours against steel cord cut-off. (Terms and conditions are based on our warranty standards.)



Overlap structure (Conventional)



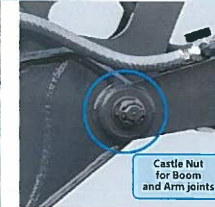
Tough Track spiral structure

	Conventional	Tough Track
Core metal shape		
Core metal edge FEM analysis		

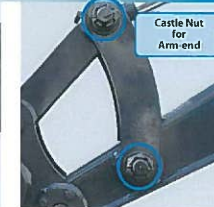
- Easily adjustable pins and longer life



Single-structured Swing Pin



Boom and Arm joints



Arm-end



Bucket rattle adjuster

- Durable structure and easy care

EASY MAINTENANCE

- Large covers for easier access

- Engine room



- Right hand cover

- Trouble reduction by 3 measures

- ① Resin-made fuel tank



- ② Large fuel filter



- ③ Water-separator



*The warning indicator turns on if water is collected up to the specified level.

- Hydraulic tank with Air breather



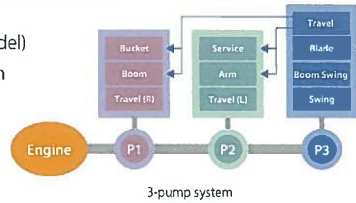
High Performance EVOLUTION

SELECTABLE WORKING MODES



HIGH POWER DIGGING AND QUICK RESPONSE

- Digging force increased by 10% (*Comparison with our former model)
- Quickly responsive 3-pump system



EASY SKIMMING WORK

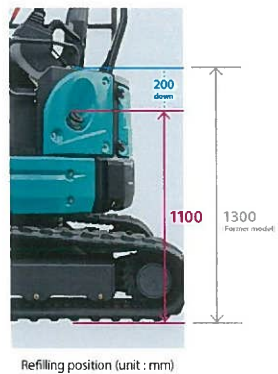
- Close distance between Bucket Tooth and Dozer Blade



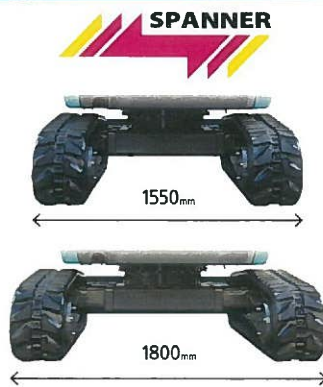
- Large and robust Dozer Blade



EASY REFILLING



UNIQUE EXPANDIBLE TRACKS



AUTO-SHIFT

- Automatically shifted travel function



EQUIPMENT / OPTIONS

Description	Standard equipment	Optional equipment	Remarks
Operator room	ROPS/FOPS Canopy (4-Post)	ROPS Cabin (A)	2-Post Canopy (B)(※)
		FOPS Guard	
		Heater or Air conditioner	
Seat	Suspension Seat	High back suspension seat (C)	Fabric suspension seat
Control lever	with proportional switch (D)	w/o proportional switch (※)	
Lever pattern	Type A (ISO standard)	AF changer	ABCD changer (E)
Control pedal	Boom swing pedal	Traction foot pedals (F)	1st aux. hydraulic control pedal (G)
Crawler	Rubber shoes	Steel shoes	Rubber Pads (H)
Arm	Standard arm	Long arm (+300mm)	
Bucket	Standard bucket	Digging buckets (※)	Loading buckets (※)
Auxiliary hydraulics	1st auxiliary hydraulic piping	2nd auxiliary hydraulic piping	3rd auxiliary hydraulic piping

Other options	Remarks
● Dust preventive net	For Radiator
● Rear-view mirror	For combination with Steel Cabin
● Additional counterweight (inside of Frame)	To be assembled in our factory
● Overload relief valve	
● Motion alarm	

