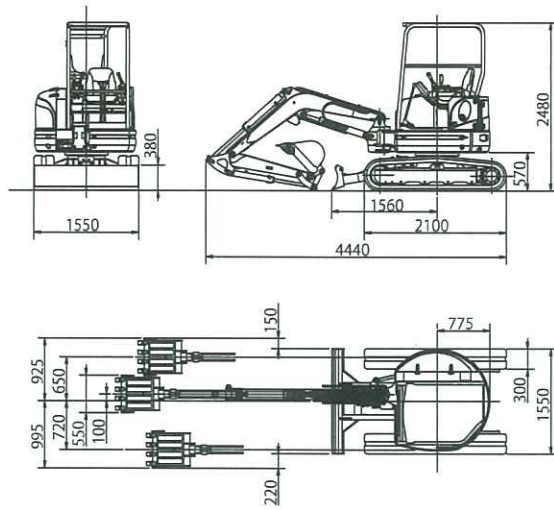
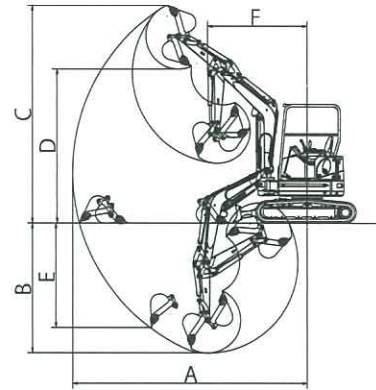


■ Dimensions (unit : mm)



■ Working Range (unit : mm)



	Std. Arm	Long arm	
A	Max. digging radius	4900	5190
B	Max. digging depth	2700	3000
C	Max. digging height	4630	4720
D	Max. dumping height	3290	3390
E	Max. vertical digging depth	2210	2470
F	Min. front turning radius	2080	2110
	At right boom swing	1790	1820

■ 30V4 Specifications

◇ Performance

Bucket capacity	0.09m <sup>3</sup>
Bucket width	550mm
Operating weight : Canopy (Cabin)	3105 (3255) kg
Transportation weight : Canopy (Cabin)	3030 (3180) kg
Swing speed	9.0min <sup>-1</sup>
Travel speed (low/high)	2.7 / 4.7km/h
Gradeability	58% (30°)
Ground pressure	28kPa (0.29kgf/cm <sup>2</sup> )
Max bucket digging force	29.1kN (2970kgf)

◇ Engine

Model	YANMAR 3TNV88
Rated output (EU version)	17.5kW (23.8PS) /2200min <sup>-1</sup>
Rated output (Tier 4 version)	16.8kW (22.8PS) /2200min <sup>-1</sup>
Fuel tank capacity	42L

●Please read carefully instruction manuals before operating machines, and use them correctly and safely.

●Please perform periodically check and maintenance for machines to prevent from troubles and accidents.

●Photographs may differ in some cases from actual objects. Specifications are subject to change without notice due to technical improvements or modifications.

◇ Boom swing system

Type	Boom offset with hydraulic cylinder
Swing angle (L/R)	80° / 50°

◇ Hydraulic system

Pressure	24.5MPa (250kgf/cm <sup>2</sup> ) 20.6MPa (210kgf/cm <sup>2</sup> )
Pump hydraulic flow	37.4 L/min×2+ 23.1L/min

◇ Dozer blade

Size	1550×380mm
Lift above ground / Drop below ground	375mm / 440mm

◇ Max auxiliary flow

1st line	61L/min
2nd line	23L/min

**IHI**  
Realize your dreams

Zero Tail Swing Mini Excavator

**30V**  
*Four*



Distributed by:

**IHI**

Realize your dreams

IHI Construction Machinery Limited

Sales Division

3174 Showa-machi, Kanazawa-ku, Yokohama, Kanagawa 236-8611, Japan

Tel: +81-45-276-1249 Fax: +81-45-276-2583

<http://www.ihi-kenki.co.jp>

IHI Construction Machinery Limited

**THE ALL NEW V4  
THAT BRINGS IN  
CUSTOMER NEEDS**



*Safety*

*Comfortable*



*Economy*

*High Performance*

**Four EVOLUTION**

# Safety EVOLUTION

## WORLD-STANDARD SAFETY

- ROPS/FOPS Compliance Operator Room
- ROPS/FOPS Canopy (Standard)
- ROPS Cabin (Option) • FOPS Cabin (Option)

## ERROR-PREVENTION

- All-lever lock structure
- Neutral engine-start structure
- Auto-parking brake in swing & traction motors



All operations are blocked when the lever is raised.



ROPS/FOPS Canopy (Std.)



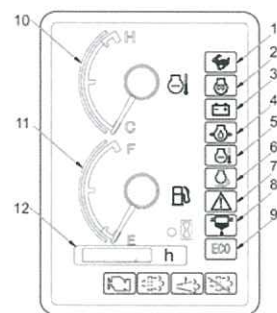
ROPS Cabin (Opt.)

# Comfortable EVOLUTION

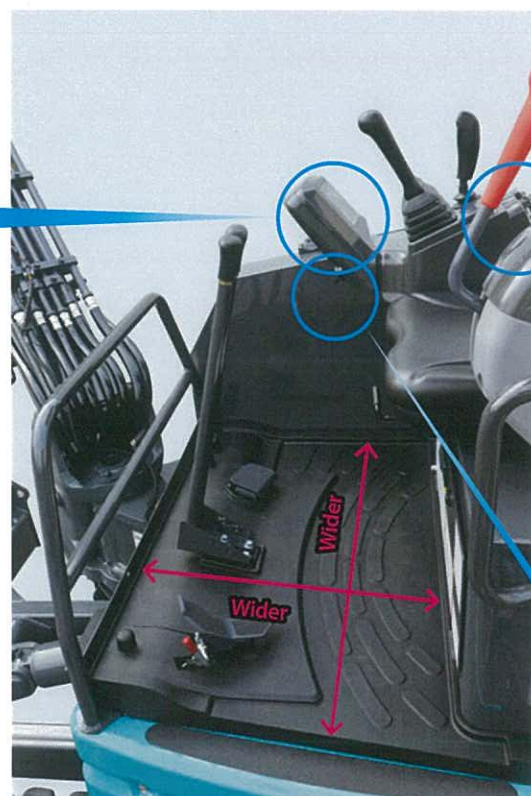
## COMFORTABLE OPERATOR ROOM AND EASY MANIPULATION



- Easily visible monitor



- Travel speed indicator
- Glow indicator
- Battery charge warning indicator
- Engine oil pressure warning indicator
- Water temperature warning indicator
- Auto idle indicator
- Control lock warning indicator
- Water-separator warning indicator
- ECO mode indicator
- Water temperature gauge
- Fuel gauge
- Hour meter



- Legroom enlarged by 20%
- Cabin room enlarged by 25%

\*Comparison with our former model



- Centralized switches (Right console box)

- A Engine starter switch
- B Throttle dial
- C Auto Idle selector switch
- D Light switch
- E Work mode selector switch



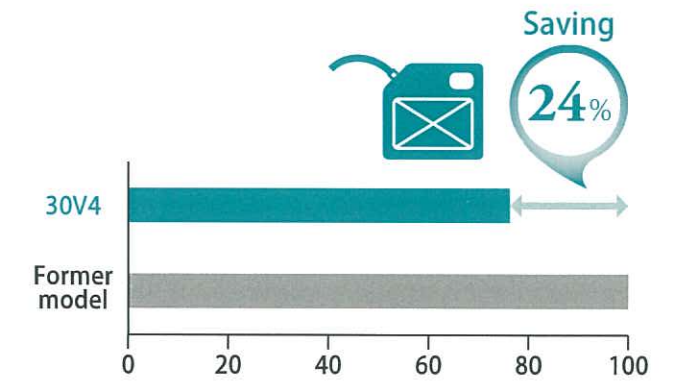
- Spare power port (12V 10A)

# Economy EVOLUTION

## LOW FUEL CONSUMPTION

- Max. 24% fuel saving

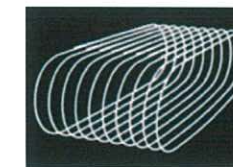
\*Comparison with our former model (in use of auto-idle and eco- mode)



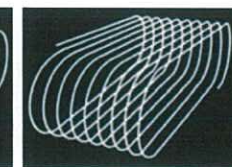
## DURABLE AND REPAIRABLE

- Warranted and durable rubber shoes "Tough Track"

The rubber shoe is warranted for either 2 years or 1500 hours against steel cord cut-off. (Terms and conditions are based on our warranty standards.)



Overlap structure (Conventional)



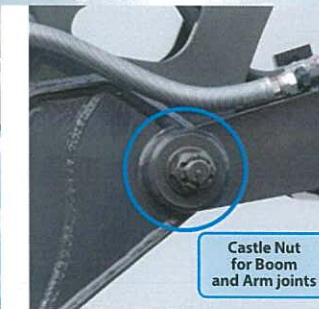
Tough Track spiral structure

	Conventional	Tough Track
Core metal shape		
Core metal edge FEM analysis		

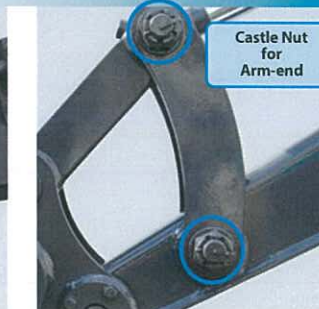
- Easily adjustable pins and longer life



Single-structured Swing Pin



Boom and Arm joints



Arm-end

- Durable structure and easy care

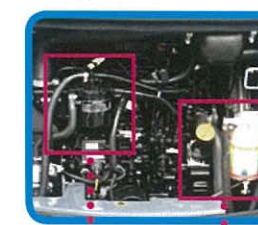


Bucket rattle adjuster

## EASY MAINTENANCE

- Large covers for easier access

- Engine room



- Right hand cover

- Trouble reduction by 3 measures



① Resin-made fuel tank



② Large fuel filter



③ Water-separator

\*The warning indicator turns on if water is collected up to the specified level.



Hydraulic tank with Air breather

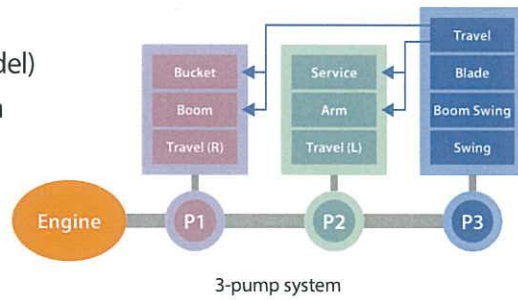
# High Performance EVOLUTION

## SELECTABLE WORKING MODES



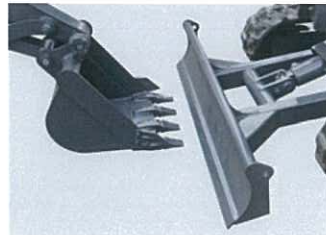
## HIGH POWER DIGGING AND QUICK RESPONSE

- Digging force increased by 10% (\*Comparison with our former model)
- Quickly responsive 3-pump system



## EASY SKIMMING WORK

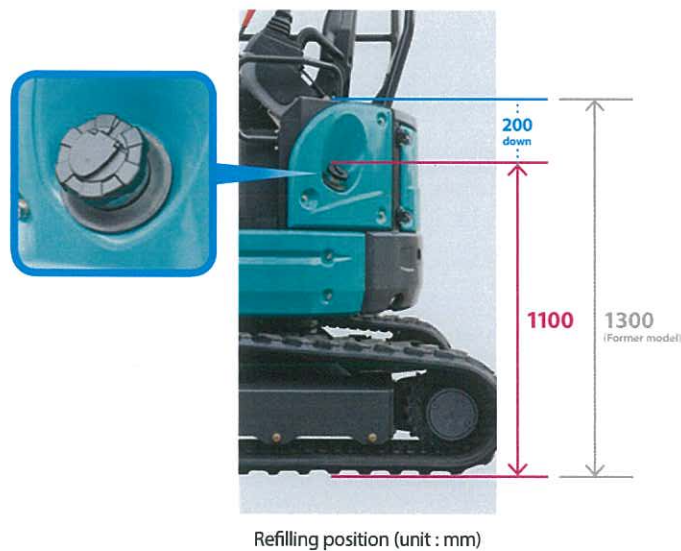
- Close distance between Bucket Tooth and Dozer Blade



- Large and robust Dozer Blade



## EASY FUEL REFILLING



## AUTO-SHIFT TRACTION

- Automatically shifted travel function



## EQUIPMENT / OPTIONS

Description	Standard equipment	Optional equipment		Remarks
Operator room	ROPS/FOPS Canopy (4-Post)	ROPS Cabin <b>A</b>	2-Post Canopy <b>B</b> (※)	(※) No ROPS compatibility
		FOPS Guard		
		Heater or Air-conditioner		
Seat	Suspension Seat	High back suspension seat <b>C</b>	Fabric suspension seat	
Control lever	with proportional switch <b>D</b>	w/o proportional switch (※)		(※) combination with <b>G</b>
Lever pattern	Type A (ISO standard)	AF changer	ABCD changer <b>E</b>	
Control pedal	Boom swing pedal	Traction foot pedals <b>F</b>	1st aux. hydraulic control pedal <b>G</b>	
Crawler	Rubber shoes	Steel shoes	Rubber Pads <b>H</b>	
Arm	Standard arm	Long arm (+300mm)		
Bucket	Standard bucket	Digging buckets (※)	Loading buckets (※)	(※) Various sizes
Auxiliary hydraulics	1st auxiliary hydraulic piping	2nd auxiliary hydraulic piping	3rd auxiliary hydraulic piping	

Other options	Remarks
● Dust preventive net	For Radiator
● Rear-view mirror	For combination with Steel Cabin
● Additional counterweight <b>I</b>	
● Overload relief valve	
● Motion alarm	

